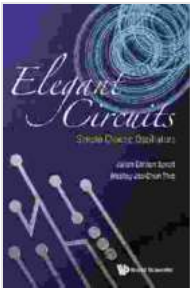


Elegant Circuits: Unraveling the Enigmatic World of Chaos



Elegant Circuits: Simple Chaotic Oscillators

★★★★★ 5 out of 5

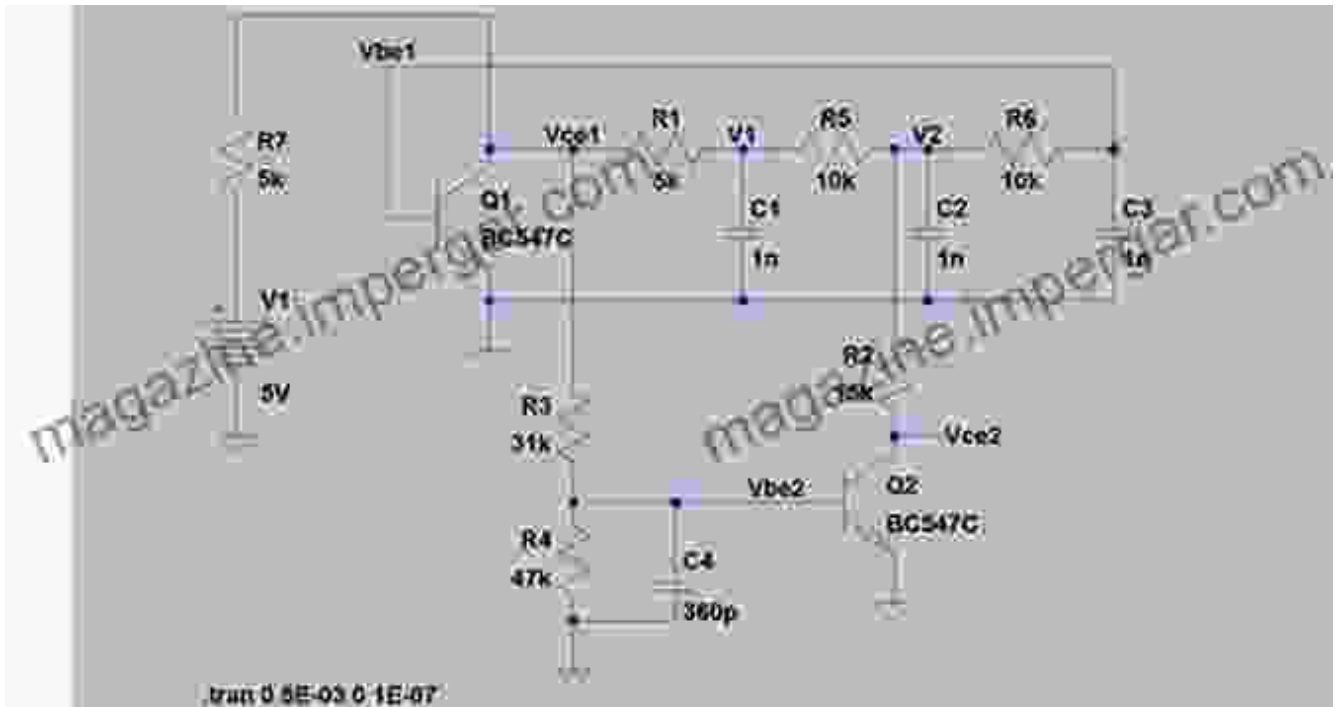
Language	: English
File size	: 46242 KB
Text-to-Speech	: Enabled
Screen Reader	: Supported
Enhanced typesetting	: Enabled
Word Wise	: Enabled
Print length	: 467 pages



In the realm of science, where Free Download and predictability often reign supreme, lies a captivating realm known as chaos. It is a realm where systems behave in seemingly unpredictable and erratic ways, defying our expectations and challenging our understanding of the world. In the book "Elegant Circuits: Simple Chaotic Oscillators," author Thomas L. Carroll invites us on an illuminating journey through this enigmatic world.

The Beauty of Chaos

Carroll begins by painting a vivid picture of chaos, describing its intricate patterns and captivating unpredictability. He highlights the inherent beauty of chaotic systems, emphasizing their mesmerizing visual appeal and the intricate tapestry of colors and shapes they can produce.

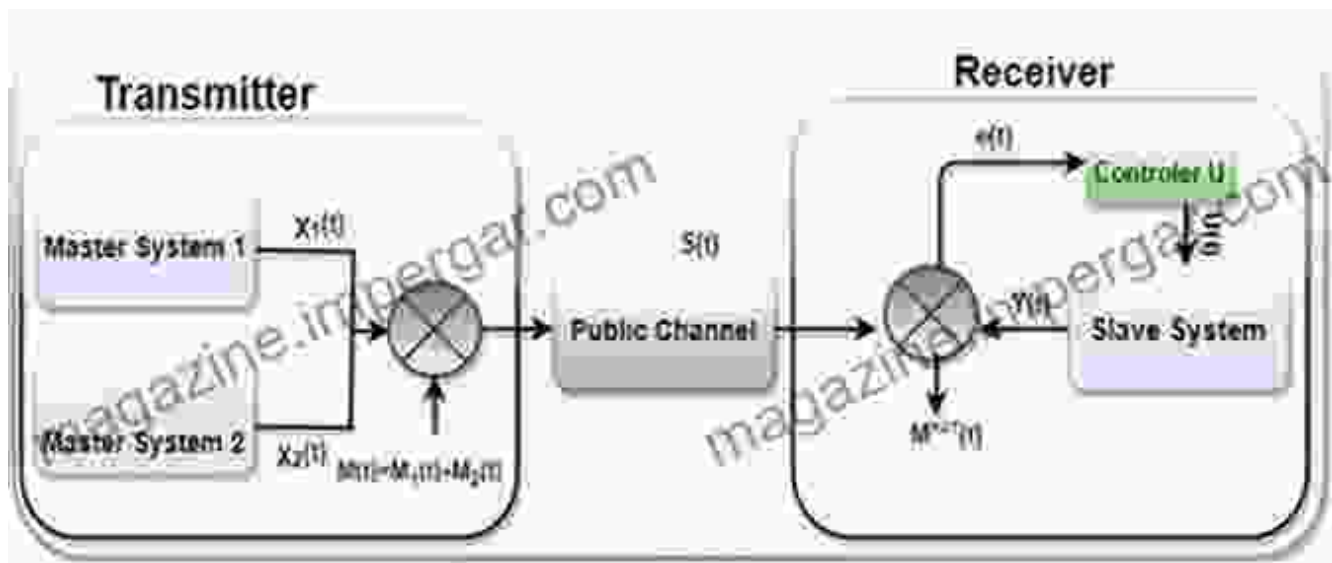


Understanding Chaos through Oscillators

To delve deeper into the complexities of chaos, Carroll focuses on oscillators, electronic circuits that generate repeating patterns of behavior. By designing and analyzing simple chaotic oscillators, he demonstrates how these systems can exhibit unpredictable and chaotic dynamics. Through these experiments, Carroll reveals the underlying principles of chaos and explains how even the simplest circuits can produce complex and fascinating behaviors.

Exploring Applications

While chaos may seem like a realm of pure abstraction, Carroll explores its practical applications in various fields. From secure communication systems to biomedical devices, chaotic oscillators have found innovative uses. Carroll discusses these applications, showcasing the potential of chaos to solve real-world problems.



Chaotic oscillators find applications in secure communication systems, where their unpredictable behavior enhances data protection.

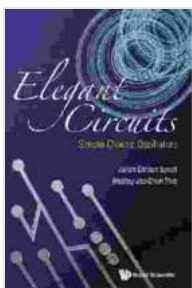
Accessible and Engaging

Carroll's writing style is both accessible and engaging, making "Elegant Circuits" an ideal read for readers of all backgrounds. He uses clear and concise language, avoiding excessive technical jargon. The book is richly illustrated with diagrams, charts, and photographs, enhancing understanding and visualizing the concepts discussed.

Whether you are a seasoned scientist, an aspiring engineer, or simply curious about the hidden wonders of the universe, "Elegant Circuits: Simple Chaotic Oscillators" is a captivating journey that will ignite your imagination and expand your understanding of chaos.

In the pages of "Elegant Circuits," Thomas L. Carroll unveils the captivating world of chaos, demonstrating its beauty, complexity, and practical applications. Through accessible explanations and engaging storytelling,

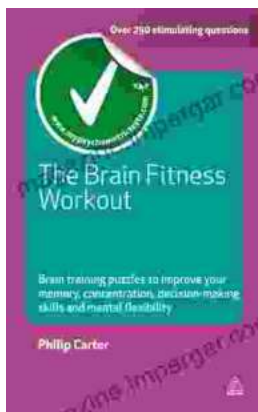
he invites readers to embark on an unforgettable exploration of one of nature's most enigmatic phenomena. Whether you seek to deepen your scientific knowledge or simply marvel at the wonders of the universe, "Elegant Circuits" is an essential read that will leave a lasting impression.



Elegant Circuits: Simple Chaotic Oscillators

★★★★★ 5 out of 5

Language : English
File size : 46242 KB
Text-to-Speech : Enabled
Screen Reader : Supported
Enhanced typesetting : Enabled
Word Wise : Enabled
Print length : 467 pages



Unlock Your Cognitive Potential: Embark on a Brain Fitness Journey with "The Brain Fitness Workout"

"The Brain Fitness Workout" transcends traditional brain training methods by adopting a comprehensive approach that encompasses the entire spectrum of cognitive...



Lady Churchill's Rosebud Wristlet No. 33: A Timeless Heirloom

Embrace the Legacy of a Remarkable Woman Immerse yourself in the captivating tale of Lady Churchill, a woman of unwavering strength and style. Her exquisite Rosebud Wristlet...